

2



6h



5,25 x 3,7 x 2 m



~484 kg



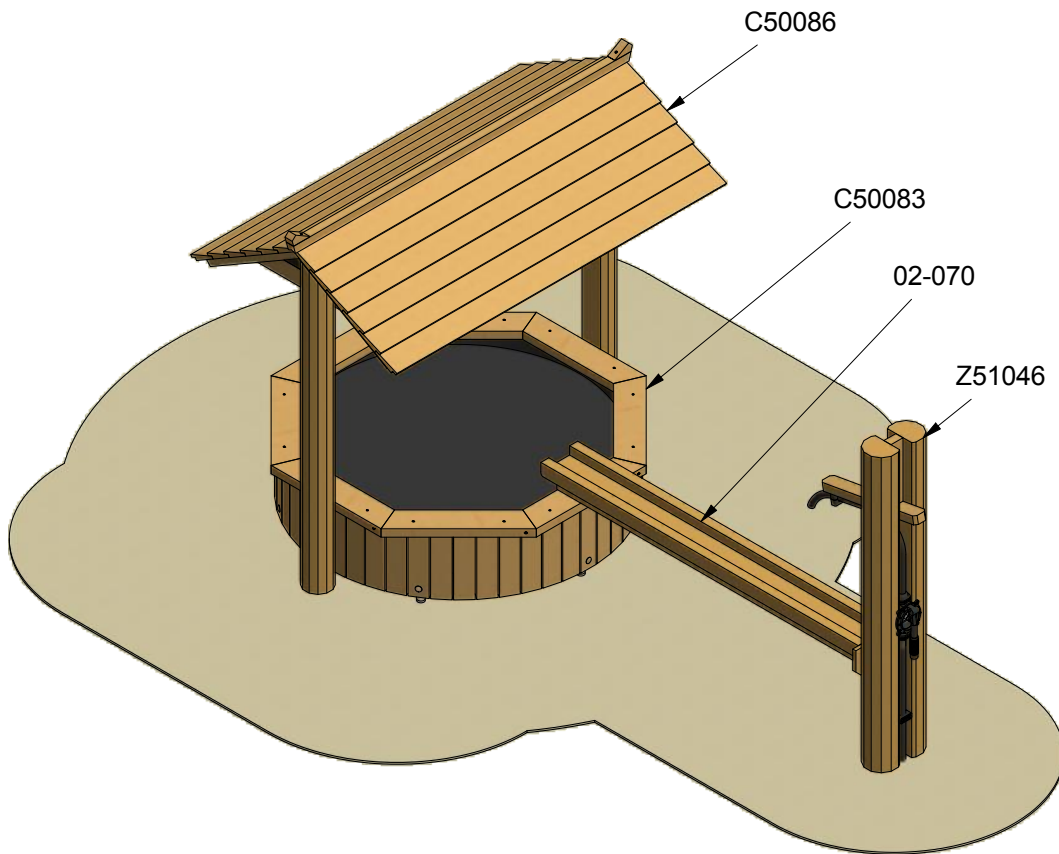
>C25



Ø180 x 450 cm



160 kg

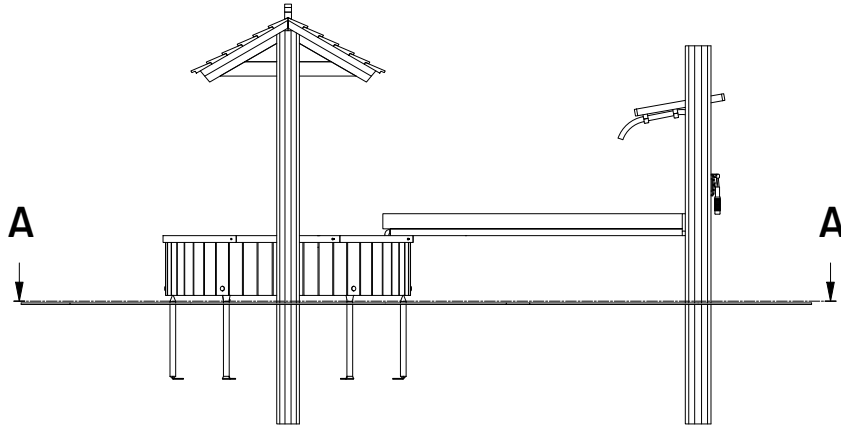


Parts List

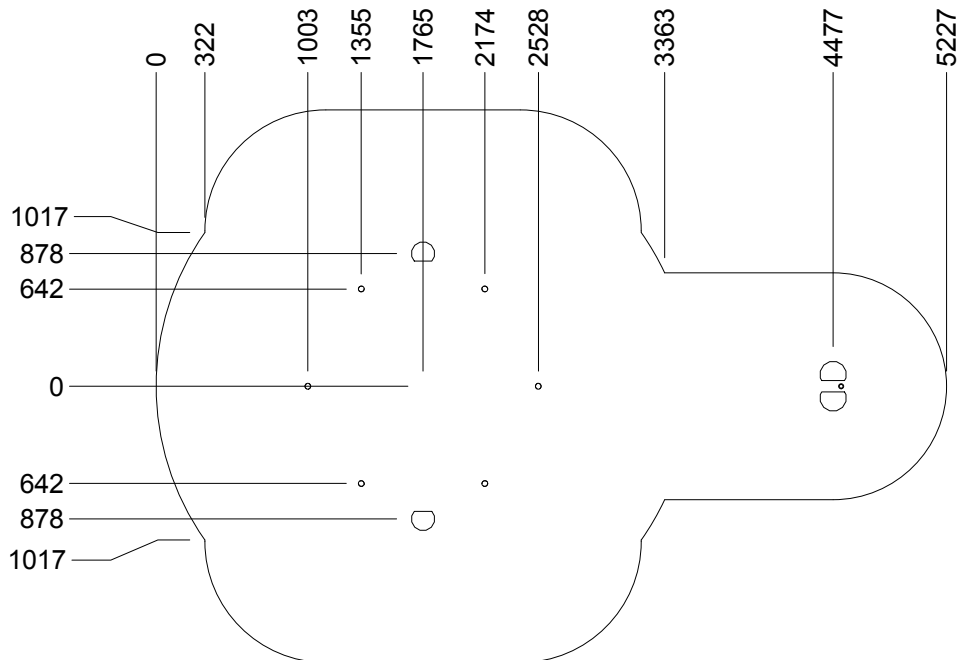
| QTY | PART NO |
|-----|---------|
| 1 | 02-070 |
| 1 | C50083 |
| 1 | C50086 |
| 1 | Z51046 |

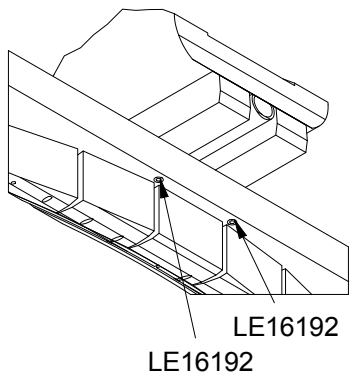
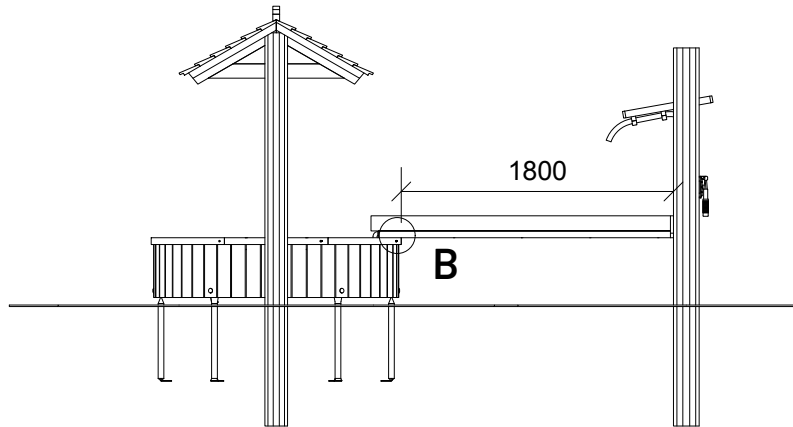
Parts List - Fittings

| QTY | PART NO | DESCRIP. |
|-----|---------|----------|
| 6 | LE16192 | 5x80mm |

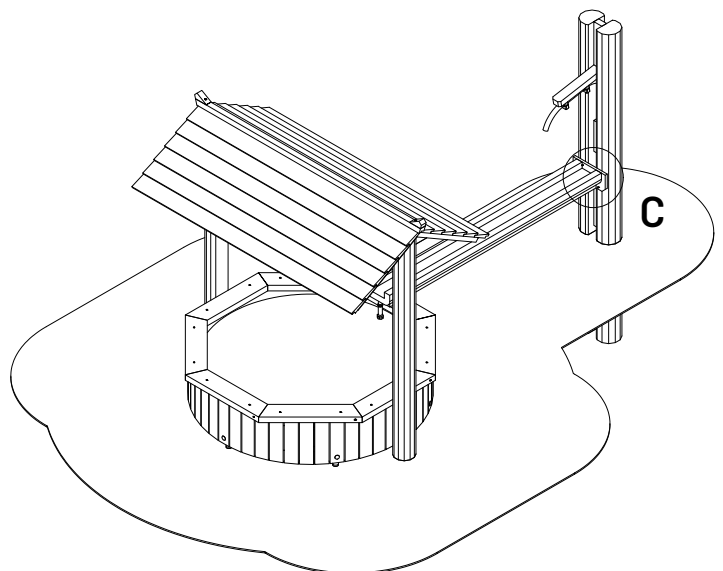
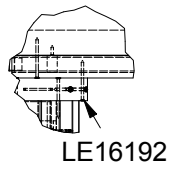


A-A (1:50)





B (1/15)



C (1/8)

