

2



5h



30 m²



5,9 x 7,3 x 2,3 m



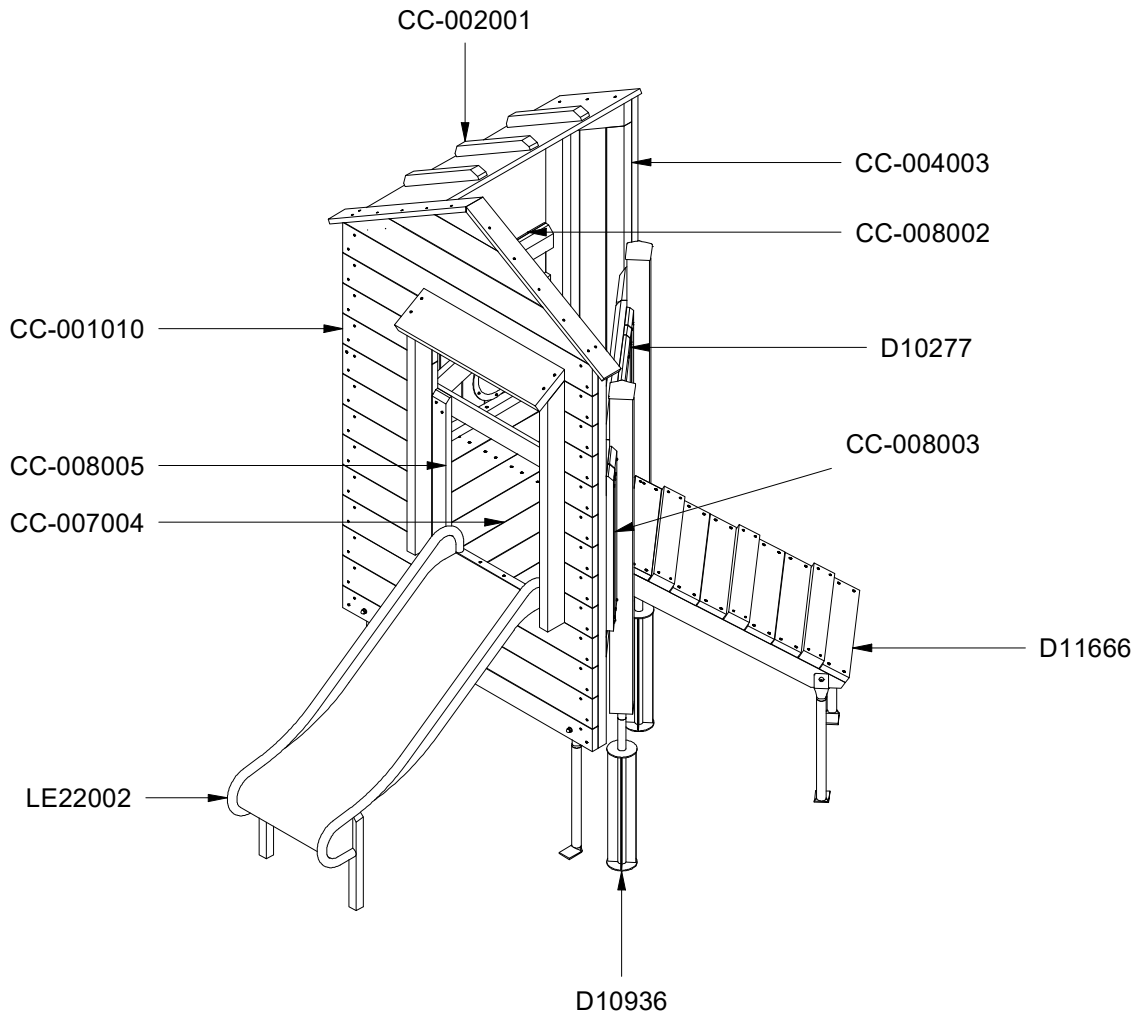
~303 kg



140 x 25 x 235 cm

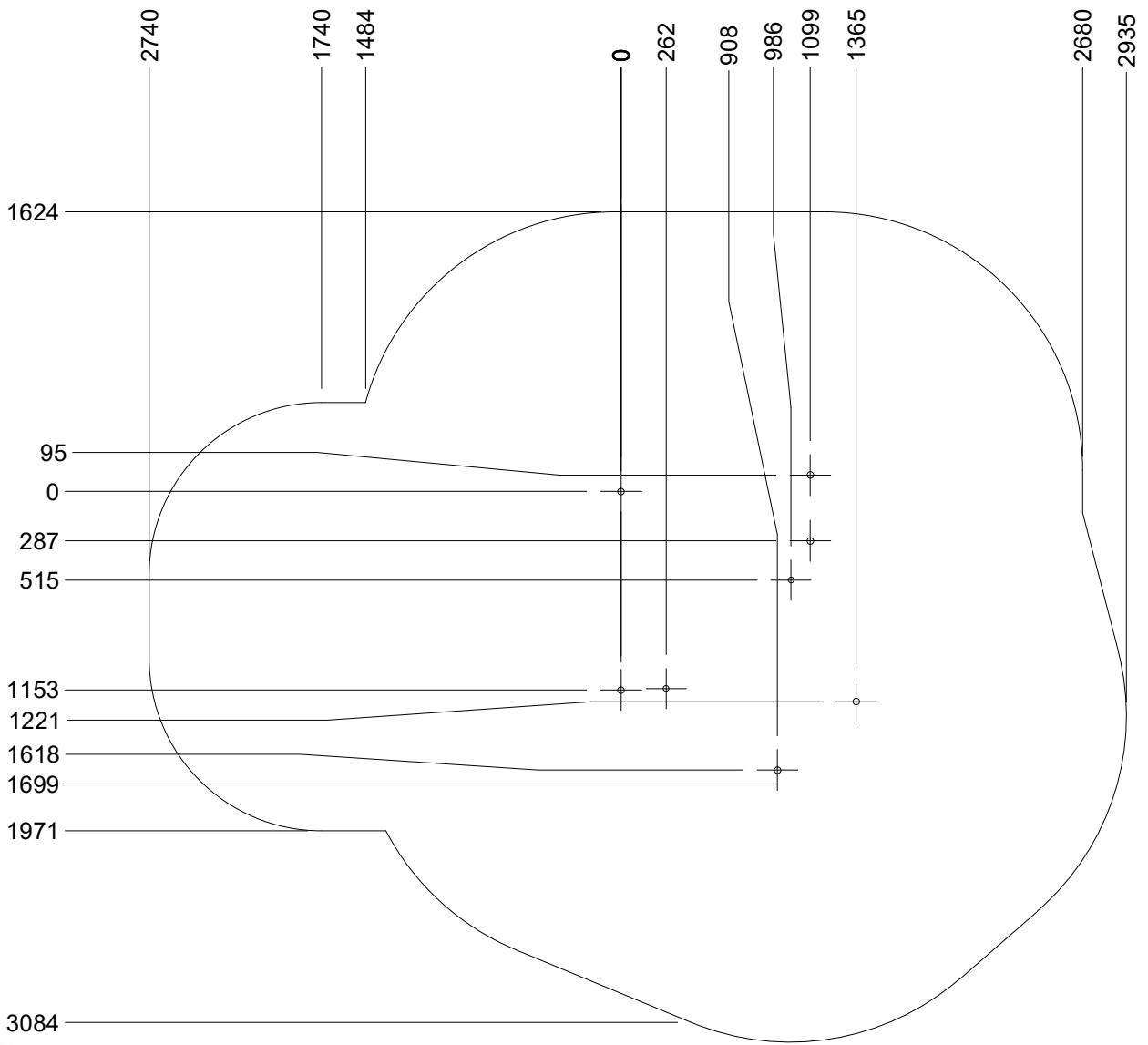
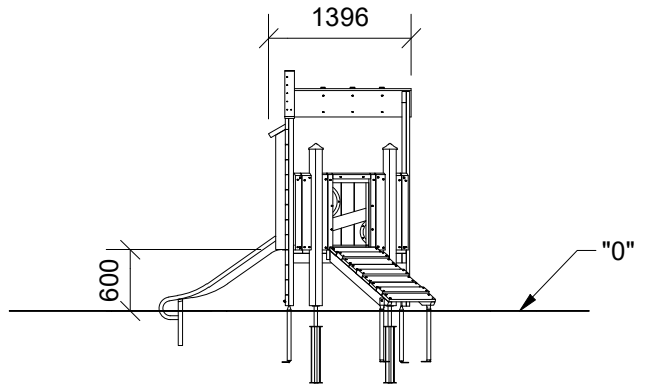
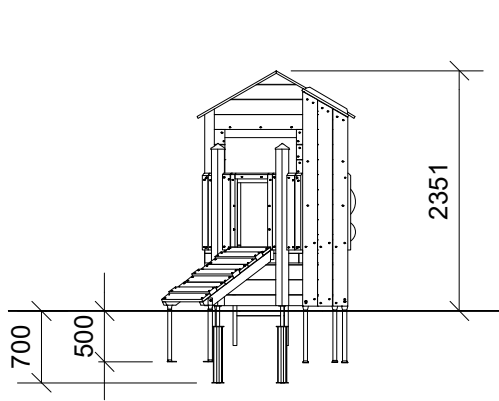


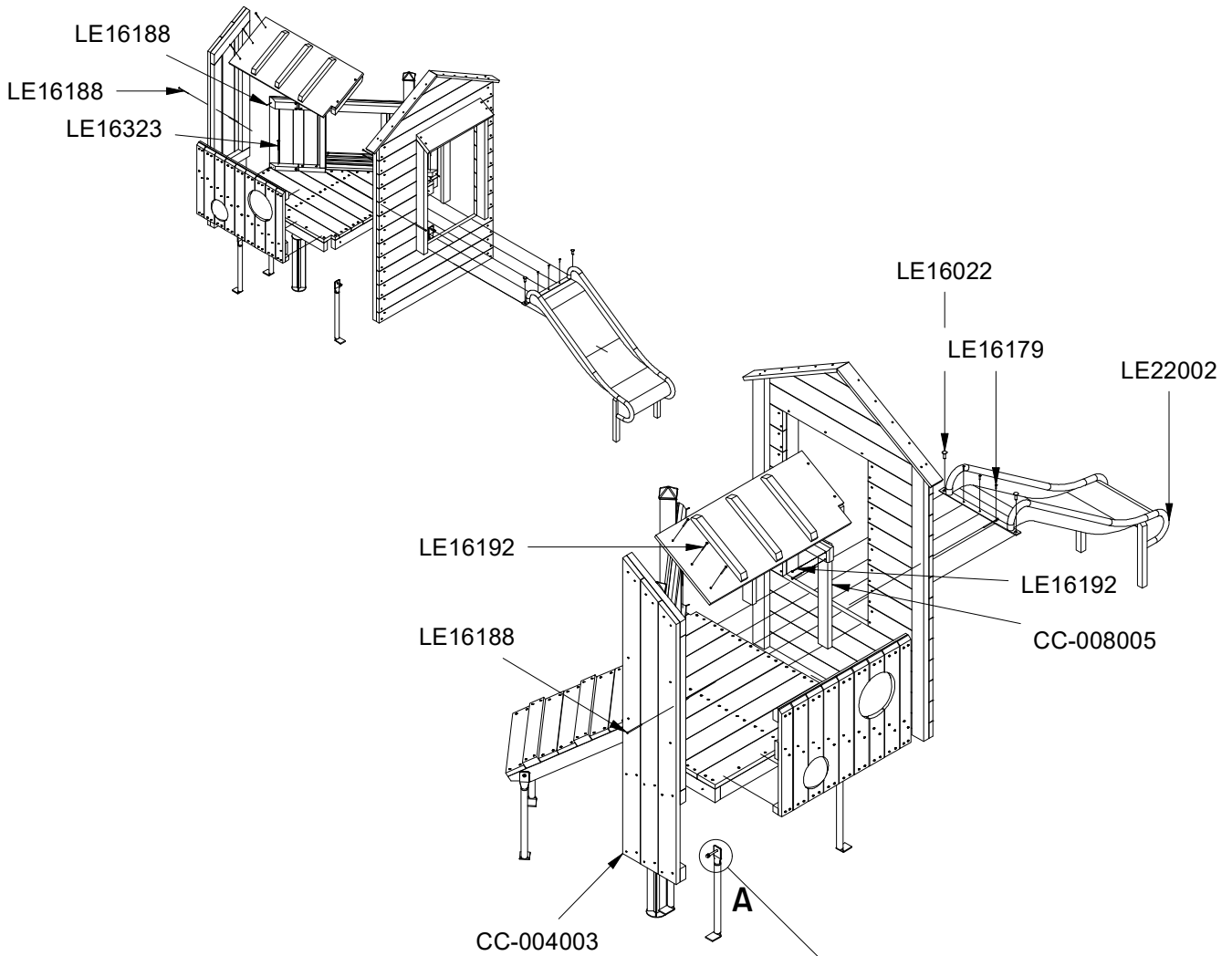
60 kg



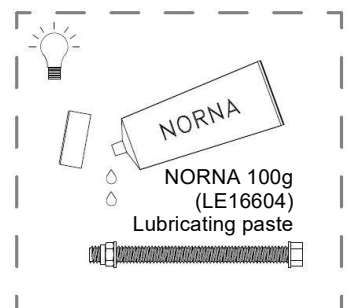
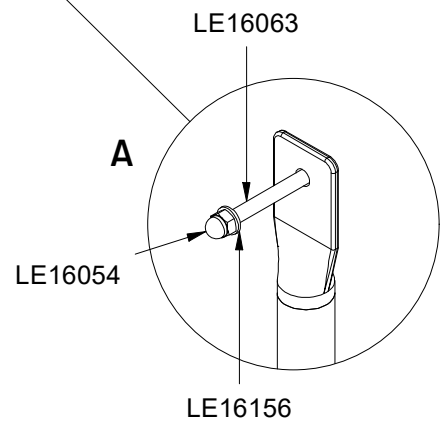
Parts List

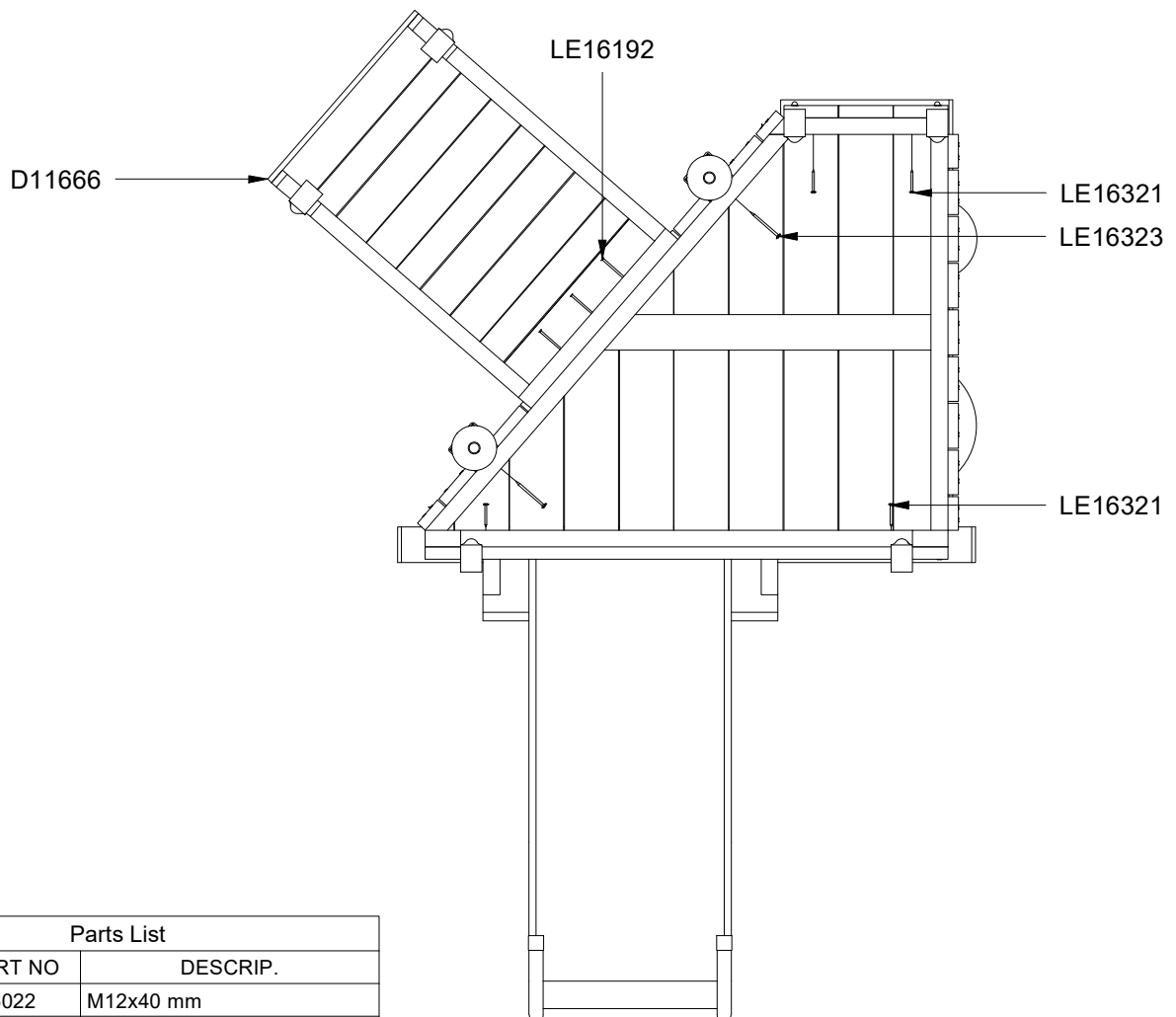
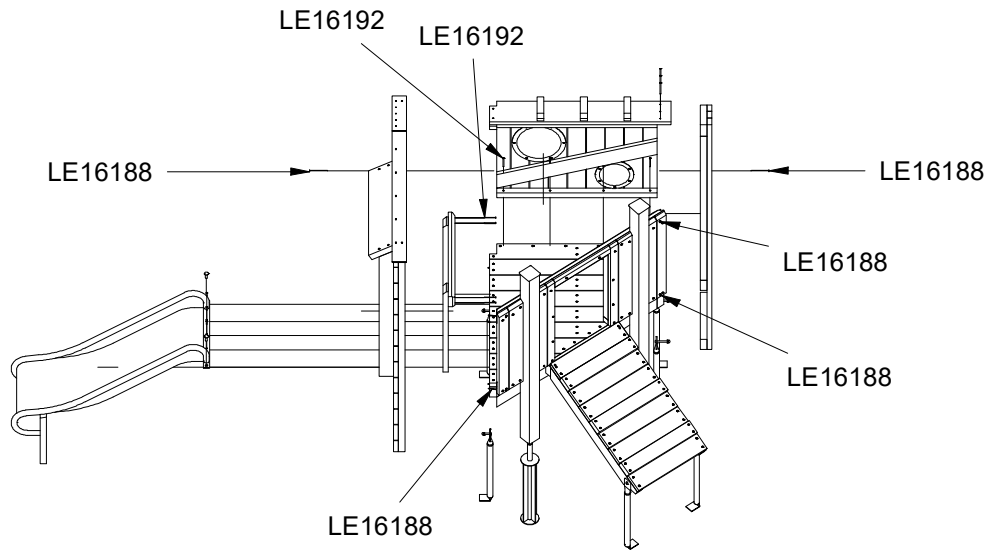
| QTY | PART NO | DESCRIP. |
|-----|-----------|------------------------------|
| 1 | CC-001010 | 2300x1400mm, Gable |
| 1 | CC-002001 | 1198x520mm, Roof |
| 1 | CC-004003 | 2100x439mm, Gable side |
| 1 | CC-007004 | 1150x1400mm, Floor |
| 1 | CC-008002 | 1060x750mm, Barrier |
| 1 | CC-008003 | 1464x750mm, Barrier |
| 1 | CC-008005 | 790x750mm, Barrier |
| 2 | D10936 | 1540x90mm, Post |
| 1 | D11666 | Ramp |
| 6 | LE15116 | L: 600mm |
| 1 | LE22002 | Slide, B:500, L:1100, D:1300 |
| 1 | D10277 | Sidepanel |
| 6 | LE16188 | 6x120 |





| Parts List | | |
|------------|-----------|------------------------------|
| QTY | PART NO | DESCRIP. |
| 1 | CC-001010 | 2300x1400mm, Gable |
| 1 | CC-002001 | 1198x520mm, Roof |
| 1 | CC-004003 | 2100x439mm, Gable side |
| 1 | CC-007004 | 1150x1400mm, Floor |
| 1 | CC-008002 | 1060x750mm, Barrier |
| 1 | CC-008003 | 1464x750mm, Barrier |
| 1 | CC-008005 | 790x750mm, Barrier |
| 2 | D10936 | 1540x90mm, Post |
| 1 | D11666 | Ramp |
| 6 | LE15116 | L: 600mm |
| 2 | LE16022 | M12x40 mm |
| 6 | LE16054 | M10 cap nut |
| 2 | LE16056 | M12 cap nut |
| 2 | LE16063 | 10x90 mm |
| 2 | LE16077 | Buttonhead 10x60mm |
| 2 | LE16082 | Buttonhead 10x50 |
| 6 | LE16156 | M10-Ø20 |
| 2 | LE16168 | M12 - Ø24 mm |
| 3 | LE16179 | Ø5x30mm Ch |
| 31 | LE16192 | 5x80mm |
| 4 | LE16321 | 6x60 Dh |
| 4 | LE16323 | 6x100 Dh |
| 1 | LE22002 | Slide, B:500, L:1100, D:1300 |
| 1 | D10277 | Sidepanel |
| 6 | LE16188 | 6x120 |





Parts List

| QTY | PART NO | DESCRIP. |
|-----|---------|-----------|
| 2 | LE16022 | M12x40 mm |
| 31 | LE16192 | 5x80mm |
| 4 | LE16321 | 6x60 Dh |
| 4 | LE16323 | 6x100 Dh |
| 1 | D10277 | Sidepanel |
| 6 | LE16188 | 6x120 |

