

Product code: LM202-2 FORP PE

# Play Centre MARION



1 y



1.92 m



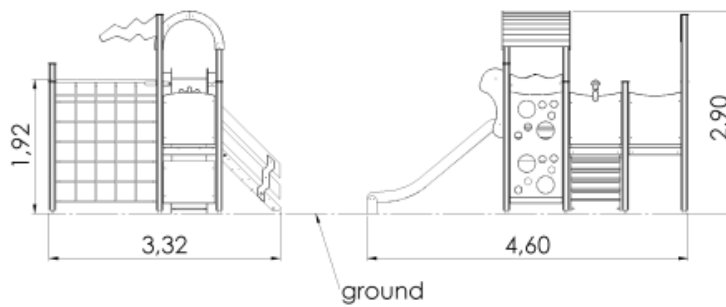
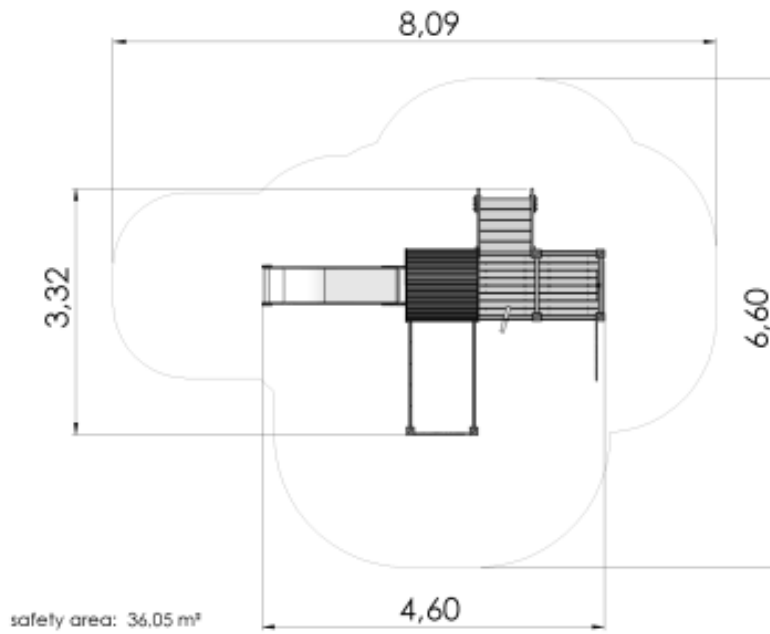
3.32 m



4.6 m



2.9 m



Tiptap

info@tiptap.ee

www.tiptap.ee

## Technical information

Safety area width	6.6 m
Safety area length	8.09 m
Width of structure	3.32 m
Length of structure	4.6 m
Height of structure	2.9 m
Max. fall height	1.92 m
Recommended age of children	1+
For simultaneous use by several children	6-12

## Product consists of

Platforms	2 pcs with a height 0.95 m Plastic covered laminated wood
Platforms	1 pcs with a height 1.2 m Plastic covered laminated wood
Roofs	1 pcs HDPE plastic
Slides	1 pcs with a height 1.2 m Stainless-steel, HDPE plastic sides
Climbing walls	1 pcs HDPE plastic
Climbing nets	1 pcs 16 mm six-strand PES cover braided steel ropes
Stairs with handrails	1 pcs Plastic covered laminated wood
Play corners	1 pcs Plastic and wood
Activity panels	3 pcs HDPE plastic
Posts	10 pcs Laminated wood
Panels/Plates	5 pcs HDPE plastic
Tubes	3 pcs Galvanized and powder coated steel

## Installation info

Installers	2
Installation time	10 h
Volume of concrete	18 bags (25kg)
Package dimensions	2,9x1,0x1,8m

This play centre provides three platforms, stairs with handrails, a climbing net, a slide, a cross bar, and a climbing wall. Role playing needs will be met by a captain's helm, binoculars and the fun play corner with a bench, hidden beneath the higher platform, which can be fitted with either kitchen corner or car dashboard elements. The side panels of the play centre can be switched for various activity walls or thematic printed panels (animals, birds, fish, trees, berries, etc.). The design of the panels will be finalised with the client during ordering.

